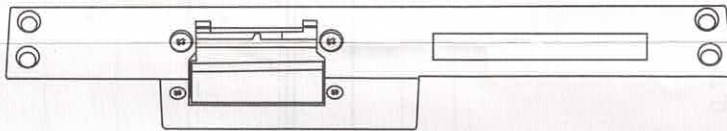
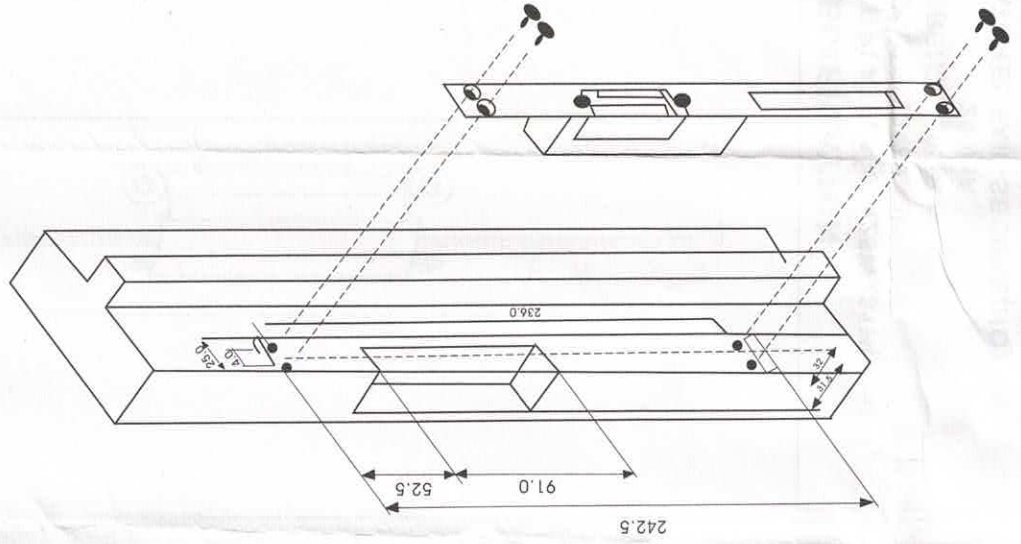
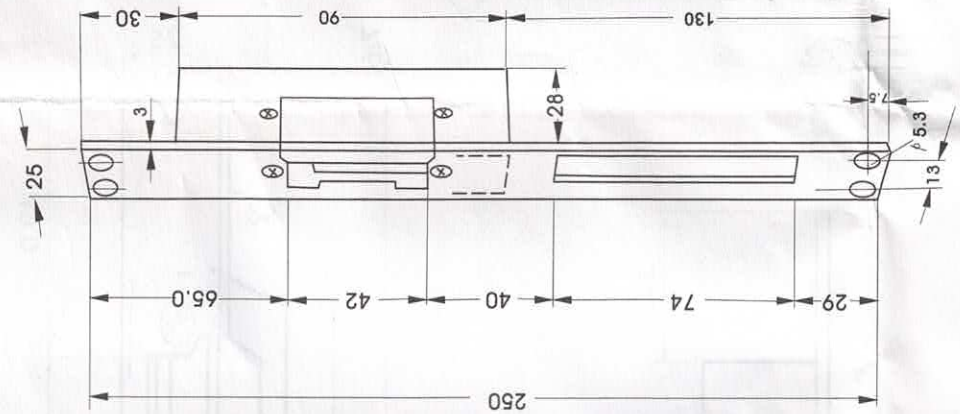


ELECTRIC STRIKE



INSTALLATION



SPECIFICATION

FACE PLATE: 250Lx25Wx31H(mm)

VOLTAGE: 12VDC

CURRENT: 450mA

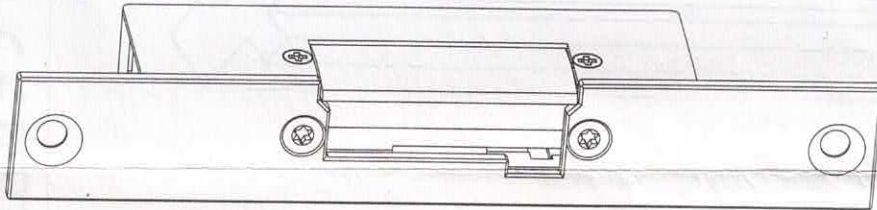
200mA

FEATURE: FAIL SECURE(NO)

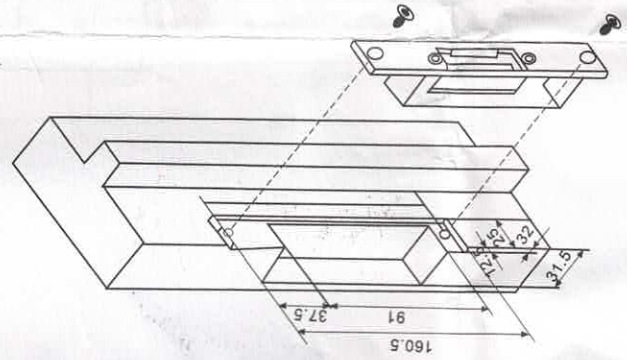
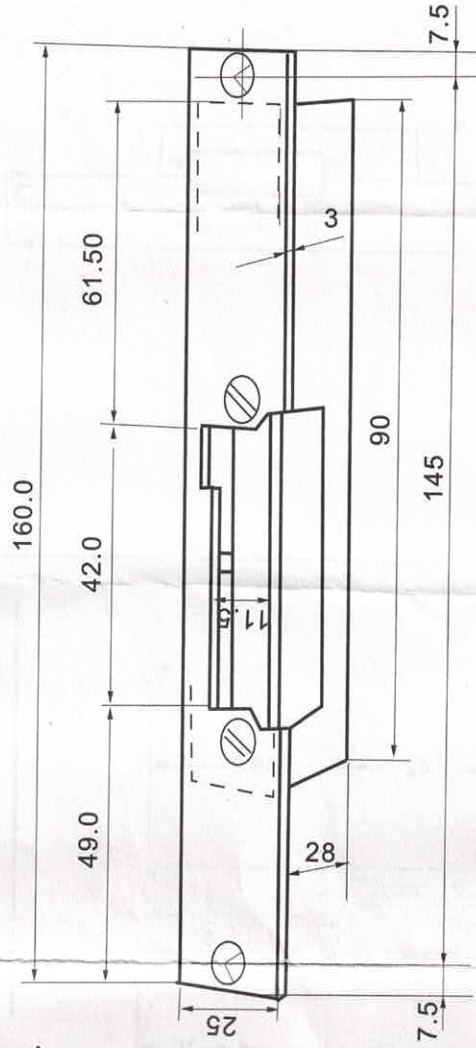
FAIL-SAFE(NC)



NARROW-TYPE ELECTRIC STRIKE



Dimension



SPECIFICATION

FACE PLATE: 160Lx25Wx31H(mm)

VOLTAGE: 12VDC

CURRENT: 450mA

200mA

FEATURE: FAIL-SECURE(NO)

FAIL-SAFE(NC)

WEIGHT: 0.4KG