

Lift Control Module + Card Reader Datasheet



Table of contents

Introduction	2
Images	2
Technical Specifications	2
Functions:.....	3
How Many Floors?	3
Floor Wiring Assignments	3
Floor Relay Contact	4
Programming Lift Reader	4
Reset Main Control Box.....	4
Multiple Card Readers.....	5
Images	5
Wiring Diagram.....	6

Introduction

Lift Control Module is suitable to designate card access to assigned floors. When inside the lift cab, swipe the room key to the RFID reader which will allow access to particular floors.

Images



Reader * 1



Main Control Box * 1



Extension Control Box * N

Technical Specifications

Main Control Box + Card Reader

Voltage (Main Control Box)	12V DC ~0.4A
Voltage Output (Extension Box)	12V DC
Transformer	NOT SUPPLIED
Number of Floors	16
Number of Card Readers	3 max
Card Reader protocol	RS485
Working Temp	-10C to 60C
Working Humidity	10% - 95% RH
Dimensions	W205mm x H230mm x D55mm
Card Read Time	<0.8s
LED Display	ON when no card is present, OFF when card is present
User interface	1 x Blue LED for valid card 1 x Red LED for invalid card
Maximum floors	64 floors (16+3*16)

Extension Control Box

Voltage (Main Control Box)	12V DC ~0.4A
Transformer	NOT SUPPLIED
Number of Floors	16
Number of Card Readers	N/A
Total number of Extension Box	3
Installation fitment	Mounting C-Clip supplied
Default egress time delay	15 seconds (Adjustable to optional 30 seconds)
Australian SAA certified	Yes
Working Temp	-10C to 60C
Working Humidity	10% - 95% RH
Dimensions	W205mm x H230mm x D55mm

Functions:

- Guest cards can only access the permitted floors by swiping the card.
- Example: If the room is on the third floor, the guest can only reach the third floor.
- When swiping the card on the reader, the button on the third floor is active only. Then the guest is required to push the third-floor button.
- The reader is usually installed inside the lift, next to the push buttons.
- Guest cards program automatically authorise lift access to the floor assigned to the guest room.
- Select additional lift floors as required during Guest card issuance
- Default authorise floors: select the floors that every card will allow access. *I.e all Guest cards have access to Level 7*
- Default unauthorise floors: select the floors that never allow guest card access. [Staff/Master/Floor/HSKP card will allow floor access]
- 2 spare relays in each Main Control Box and Extension Control Box for override in case of relay failure.
- The spare relays can be assigned by parameter card and software programming. If a floor relay on the PCB fails, you can re-assign the failure relay to the spare relay in a matter of minutes.
- Fire relay: use this relay to control whether all floors are blocked when a signal is received from a third-party control.
- Lift free passage times: one block of time to allow access for all floors. Outside this time requires swipe card access. i.e daily 9am – 5pm no card swipe is required, card swipe required outside the allocated times. You cannot modify the free passage lift access to days-of-week. Only times-of-day.

How Many Floors?

- Main Control Box: 16 floors (Lift control reader is included in the Main Control Box)
- Extension Control Box: n * 16 floors
- Additional Lift Reader: 3 readers max per lift cab

Example: 36 floors – order 1 x Main Control Box and 2 x Extension Control Box = 16 floors + 2 * 16 floors = 48 floors total

Example: 12 floors – order 1 x Main Control Box = 16 floors total

Floor Wiring Assignments

Floor assignment is fixed for each module.

For example: if you do not need card control for Ground floor, do not skip the ground floor button wiring. In the software, you can assign which floors will have default access. Even though no card is required for Ground, you still must wire the Ground floor button.

In the following example: each Port is a Relay on the Lift Control module.

DO this:

Port 1 => B1

Port 2 => **Ground**

Port 3 => **Floor 1**

...

Do NOT skip a floor when wiring. Ensure that ALL lift buttons are wired to the control module.

DON'T do this:

Port 1 => B1

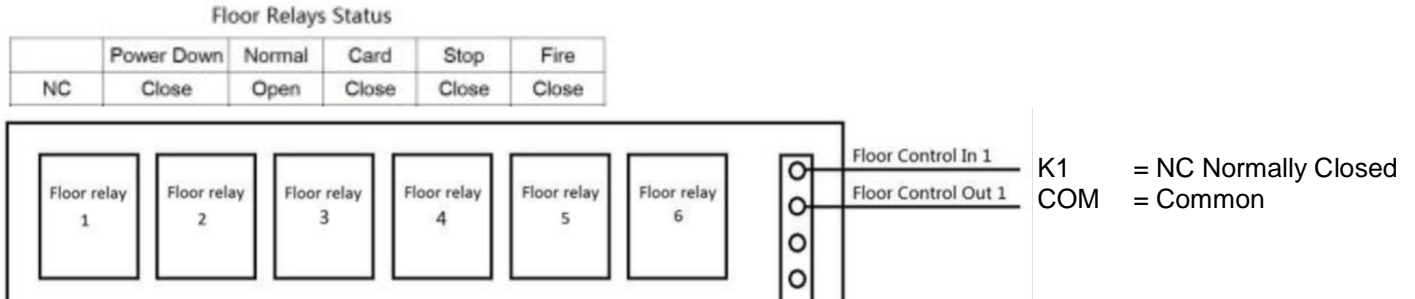
Port 2 => **Floor 1**

Port 3 => **Floor 2**

...

Floor Relay Contact

The Lift Control Module has the following contacts. NOTE: the NO contact on each floor relay is reserved and not available for usage. This is to satisfy a fail-safe requirement.

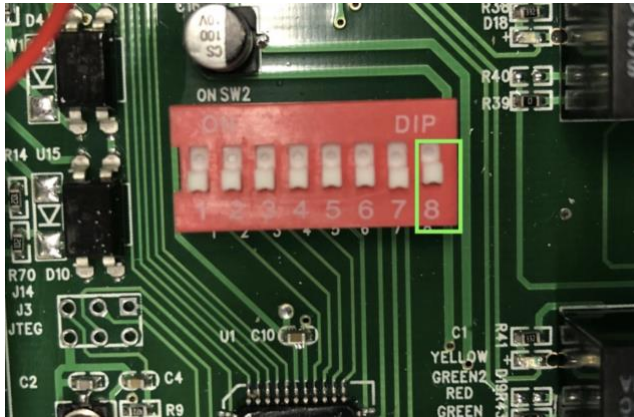


Programming Lift Reader

Setup:

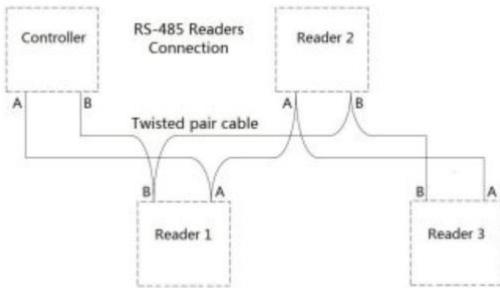
- Swipe System Card -> Blue LED -> If Red LED, swipe system card again, or reset Main Control Box
- Create a 'Lift' on Lock-S Software
- Swipe Parameter Card to the card reader inside the lift-> Blue LED
- Test by swiping Master Card -> Green LED -> All Control Box relays will fire and all buttons should be active.

Reset Main Control Box

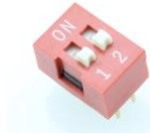


- On the DIP Switch panel, toggle number 8 to conduct a factory reset for the module.
- You will see a Red LED HIGH on the Main Control Box when number 8 is HIGH and Red LED LOW when number 8 is LOW
- You do not have to reset the Extension Control Box or the Card Reader

Multiple Card Readers



For multiple card readers for one control module, please note the following jumper configurations for each reader.

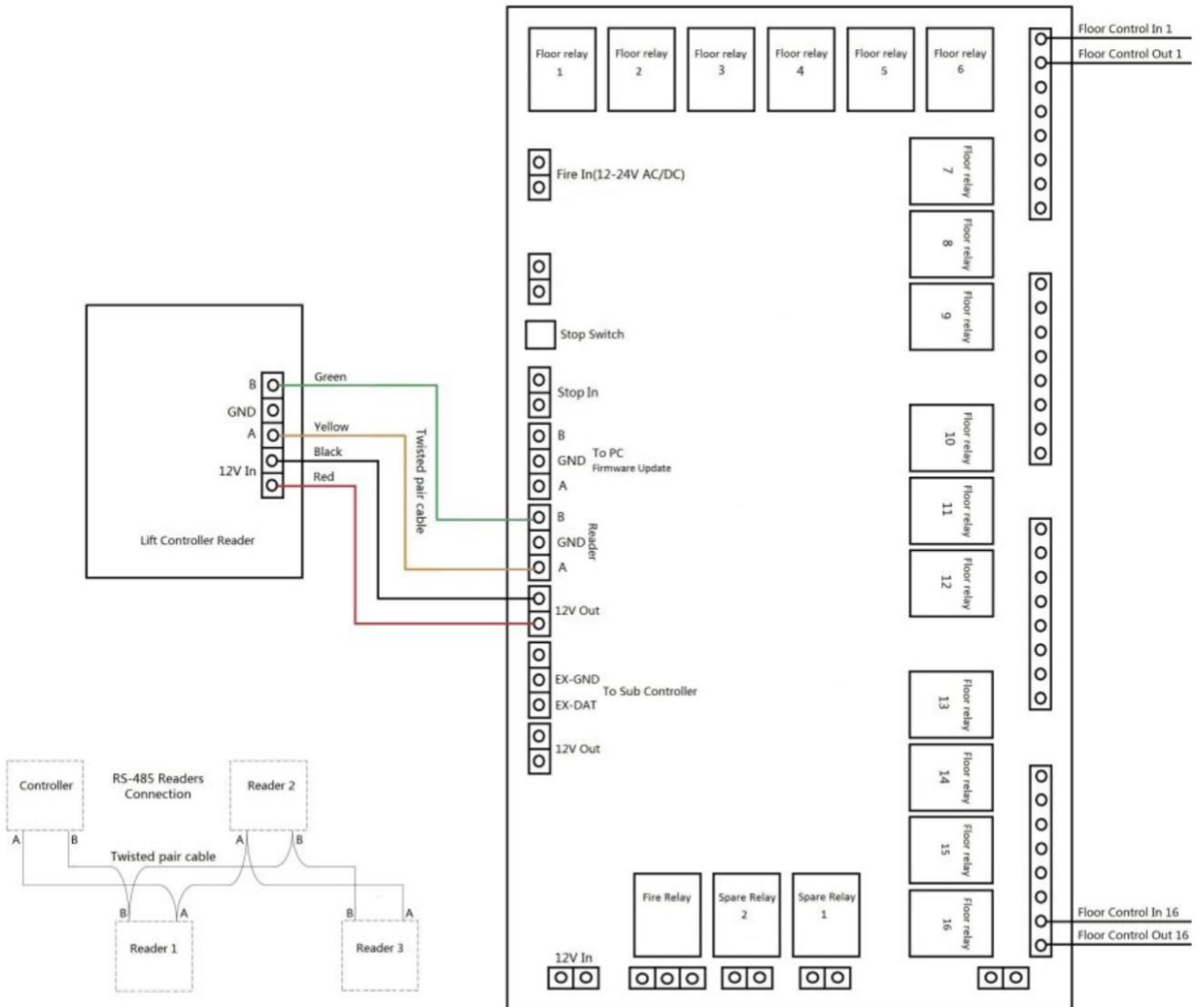


Reader Configurations		
	JP1	JP2
Reader 1	OFF	ON
Reader 2	ON	OFF
Reader 3	OFF	OFF

Images



Wiring Diagram



Reader Configurations

	JP1	JP2
Reader 1	OFF	ON
Reader 2	ON	OFF
Reader 3	OFF	OFF

Floor Relays Status

	Power Down	Normal	Card	Stop	Fire
NC	Close	Open	Close	Close	Close
NO	Open	Close	Open	Open	Open