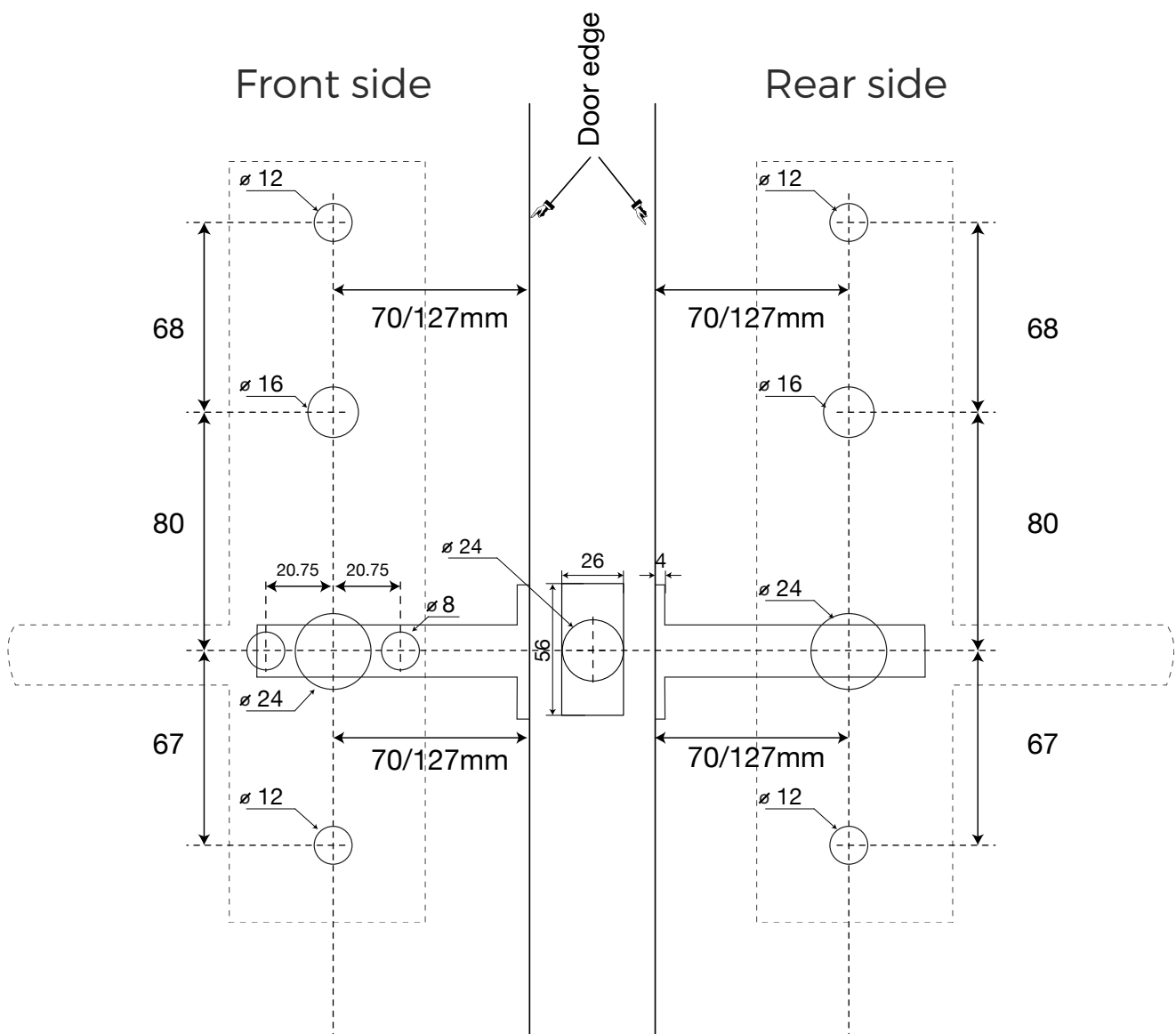


KAS LMS Platinum Cutting Dimensions

TL-Tubular Latch



Not to scale